



GENUINE PARTS

INSTALLATION INSTRUCTIONS

DESCRIPTION: Trailer Hitch Kit

APPLICATION: NV Cargo & Passenger

PART NUMBER: 999T5 HW010

Installation of this accessory requires installation of additional Part(s)

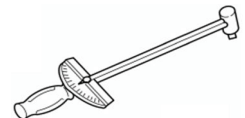
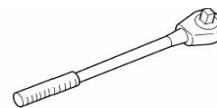
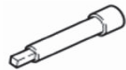
- WIRE HARNESS (999T8 HW000)
- BALL MOUNT KIT (999T7 WQ810)
- CLASS III HITCH BALL (999T7 KN000)

KIT CONTENTS:

Item	Qty.	Part Description	Service Part Number
A	1	MBR ASSY-HITCH	51170 1PA0A
B	8	BOLT-FLG,HEX TYPE 2 9T	11-25 0095U
C	2	NUT-FLG, HEX 9N M12	89-18342-2A
D	2	BOLT STUD	84857 1PA0A
E	1	Installation Instruction Replacement Template	

TOOLS REQUIRED:

- Safety Glasses
- 4" Extension
- 17mm Socket
- Socket Wrench
- Torque Wrench



PRE-INSTALLATION WARNINGS, CAUTIONS, CRITICAL STEPS, and NOTES:

- Dealer Installation Recommended. Instructions may refer to Service Manual.
- This Product complies with SAE J684

HITCH CAPACITY

MAX GROSS TRAILER WEIGHT: 7,000 LBS (3175 KG)

MAX TONGUE LOAD: 700 LBS (318 KG)



CAUTION

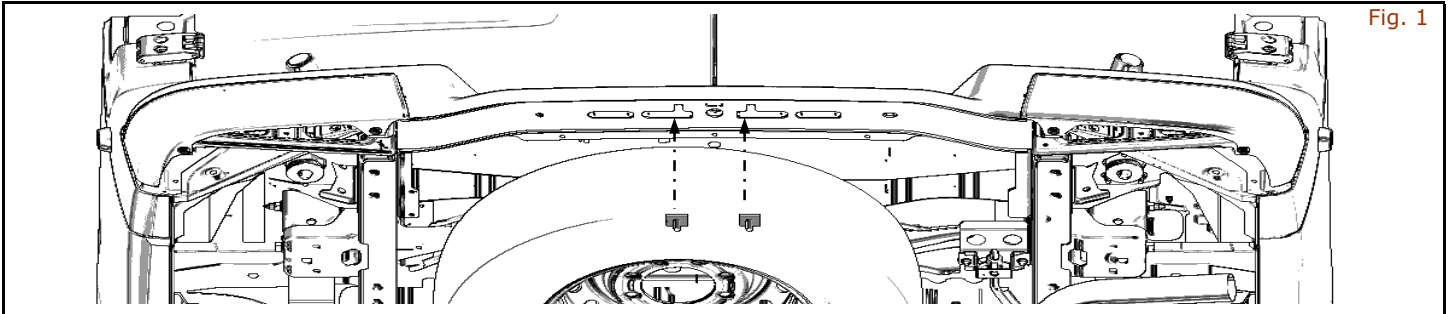
- Vehicle towing capacity may differ from hitch rating.
- See owners manual for vehicle towing rating
- Be careful of sharp edges under vehicle.
- Bolts must be tightened according to the specified torque values.

INSTALLATION PROCEDURE:

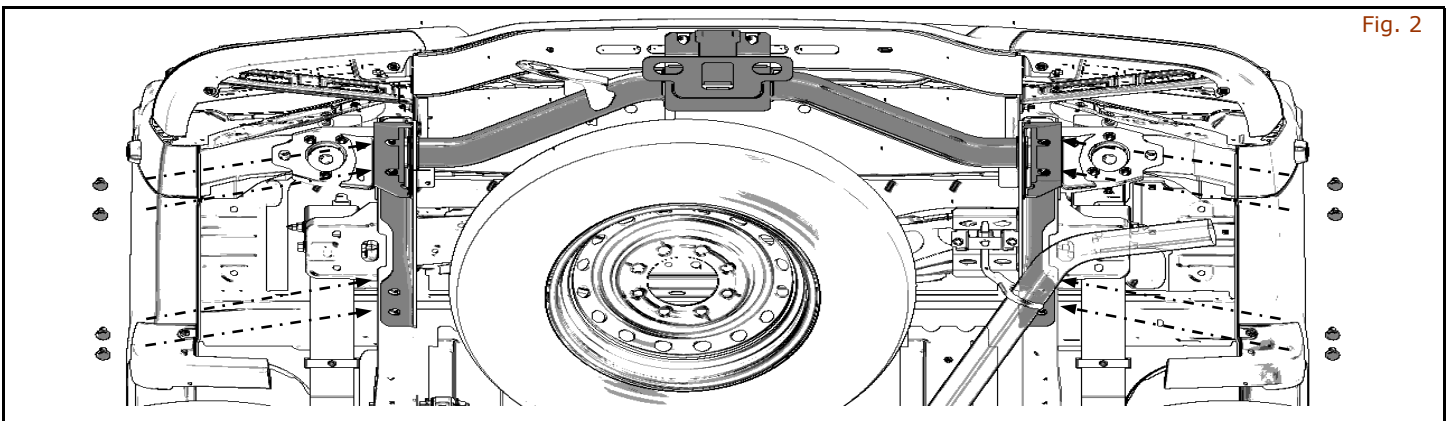
- 1) Raise and Secure Vehicle on lift

CAUTION

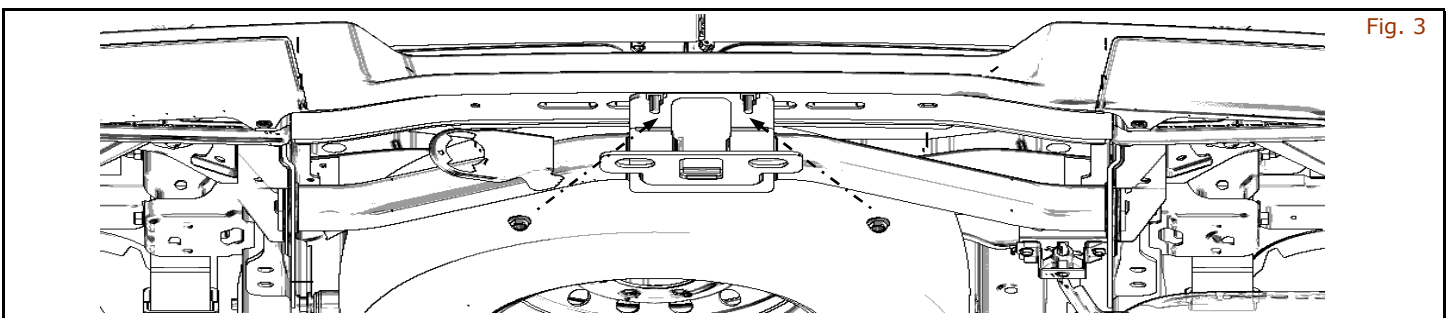
- Ensure that Back Doors are closed
- Exhaust may still be hot
- Be careful of Roof Height when raising on Lift



- 2) Install Bolt Stud on bottom of rear bumper (2 places)



- 3) Raise Hitch into vehicle position and install bolt (8 places)



- 4) Install Nut (2 places)
- 5) Tighten Fasteners to 110-150N*m [81-110 ft*lb] (10 Places)
- 6) Lower Vehicle from lift